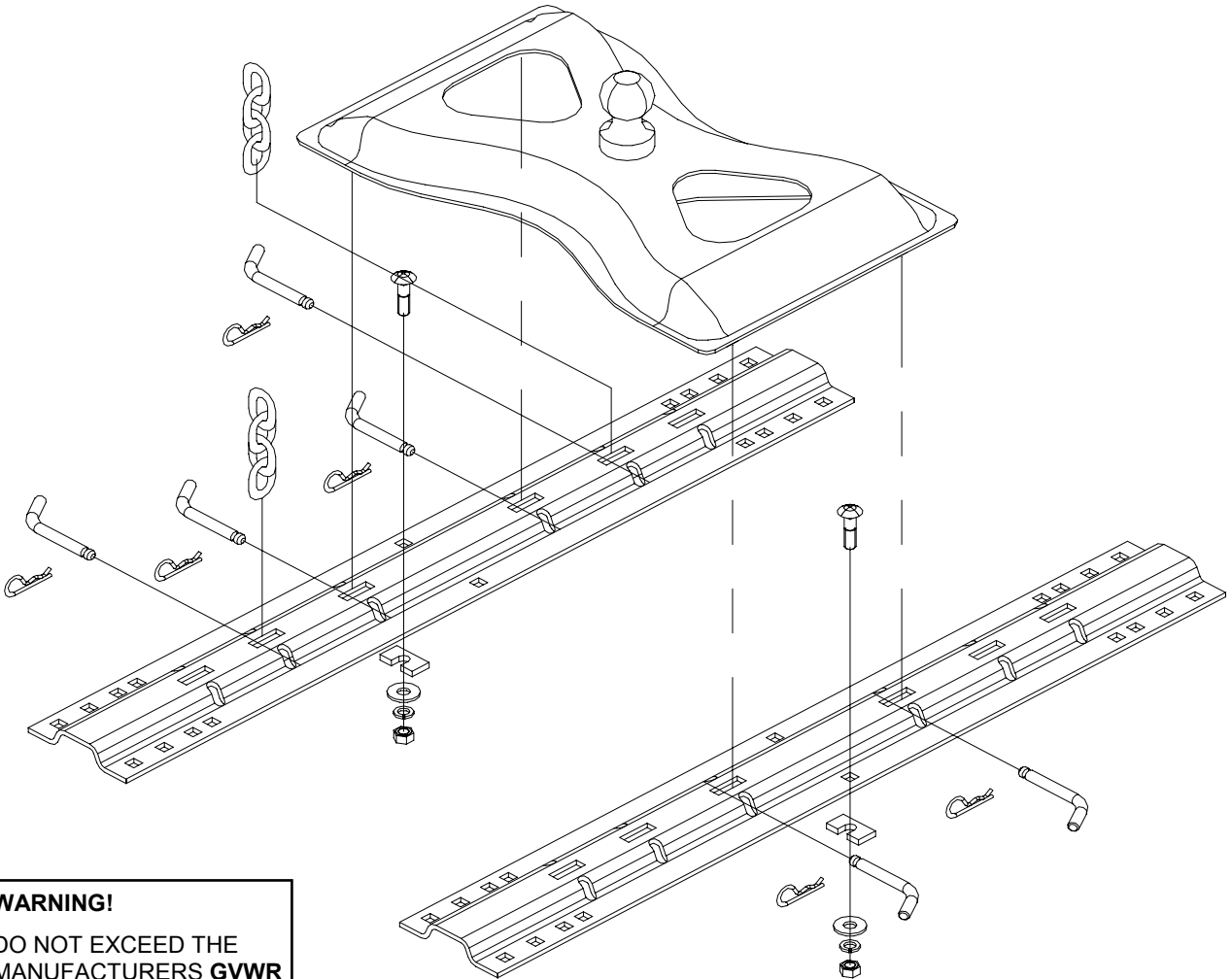




A MascoTech Company

# INSTALLATION INSTRUCTION GOOSENECK TRAILER HITCH

## 6002



**WARNING!**

DO NOT EXCEED THE  
MANUFACTURERS **GVWR**  
FOR YOUR VEHICLE.

1. Place base rails across truck bed. Place ball mount on base rails to establish spread between rails and install base rail mounting kit 6007 or 6005 per kit instructions. Drill holes and add additional bolts (supplied with the gooseneck ball mount) at center holes in base rails using the hole closest to the truck bed channel.
2. Install pull pins and lock in place with spring cotter pins.
3. When safety chains are used, place chain link in slot and install additional pull pins (not furnished) and lock in place with spring cotter pins (not furnished).

For Installation Assistance or Technical Help, Call 1-800-521-0510

---

## **FIVE YEAR LIMITED WARRANTY**

---

Towing Products warrants its Gooseneck Ball Assembly from date of purchase against defects in material and workmanship under normal use and service, ordinary wear and tear excepted, for 5 years of ownership to the original consumer purchaser when a Towing Products mounting kit is used.

Towing Products will replace free of charge any part which proves defective in material or workmanship when presented to any Towing Products dealer (consult local telephone directory) or Towing Products warehouse, or when returned to the factory, TRANSPORTATION CHARGES PREPAID, at the address below. THIS WARRANTY IS LIMITED TO DEFECTIVE PARTS REPLACEMENT ONLY. LABOR CHARGES AND/OR DAMAGE INCURRED IN INSTALLATION OR REPLACEMENT AS WELL AS INCIDENTAL AND CONSEQUENTIAL DAMAGES CONNECTED THEREWITH ARE EXCLUDED.

Some states do not allow the exclusion or limitation of incidental or consequential damages, so the above limitation or exclusion may not apply to you.

Any damage to the Gooseneck Ball Assembly as a result of misuse, abuse, neglect, accident, improper installation, or any use in violation of the instruction furnished by us WILL VOID THE WARRANTY.

This warranty gives you specific legal rights, and you may also have other rights which vary from state to state. In the event of a problem with warranty service or performance, you may be able to go to a small claims court, a state court, or a federal district court.

Towing Products  
47774 Anchor Court West  
Plymouth, MI 48170 USA