

REESE

You *can* take it with you.

INSTALLATION INSTRUCTIONS

FORD F-350, F-450 & F-550 SUPER DUTY

ELKHART, IN., OAKVILLE, ONT.

Product No.

45014

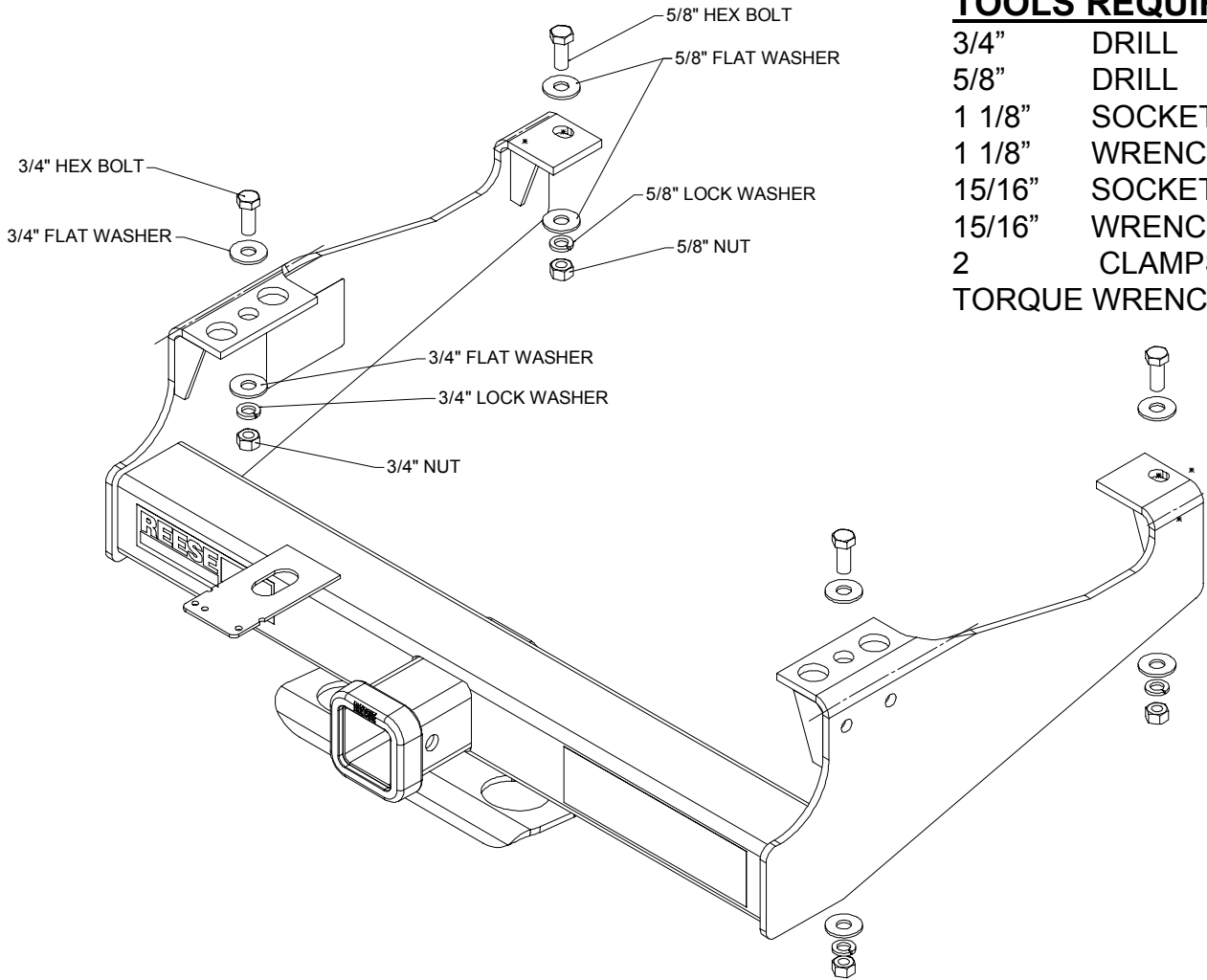
SMALL PARTS
PACKAGE 45238

WARNING: DO NOT LUBRICATE THREADS, BOLT FAILURE MAY OCCUR DUE TO OVER TIGHTENING.
WARNING: DO NOT DRILL OR WELD TO THIS HITCH.

IMPORTANT NOTES
USE ONLY REESE SUPPLIED OR APPROVED BOLTS, LOCKNUTS, AND WASHERS TO INSTALL THIS HITCH

TOOLS REQUIRED

| | |
|--------|---------------|
| 3/4" | DRILL |
| 5/8" | DRILL |
| 1 1/8" | SOCKET |
| 1 1/8" | WRENCH |
| 15/16" | SOCKET |
| 15/16" | WRENCH |
| 2 | CLAMPS |
| | TORQUE WRENCH |



1. Position the hitch so the large holes in the bracket are over the flat rivet heads in the frame and the hitch is resting flat against the frame. Clamp the hitch in place.
2. Using the 3/4" holes as a guide, drill 3/4" holes into the frame. Install the 3/4" bolts with flat washers, lock washers, and nuts. See diagram above.
3. Drill out the forward mounting holes in the frame with the 5/8" drill. Install the 5/8" bolts with the 5/8" flat washers, 5/8" lock washers, and 5/8" nuts. See diagram above.
4. Torque 5/8" nuts to 110 ft*lbs
Torque 3/4" nuts to 200 ft* lbs.

(OVER)

For Installation Assistance or Technical Help, Call 1-800-758-0869

FOR FONTAINE CONVERSION:

1. Follow steps 1 & 3 from the other side.
2. Using the 1/2" hardware, bolt the hitch to the plates that extend down below the frame, at the rear of the frame. Use 2 bolts, flat washers, lock washers and nuts per side.
3. Torque all 1/2" nuts to 70 ft-lb.

For Installation Assistance or Technical Help, Call 1-800-758-0869

THIS PRODUCT COMPLIES WITH SAFETY SPECIFICATION AND REQUIREMENTS FOR THE STATE OF NEW YORK AND VESC REGULATION V-5 FOR CONNECTING DEVICES AND TOWING SYSTEMS. WEIGHT DISTRIBUTING HITCH RATING IS 14000 LB. MAX. GROSS TRAILER WEIGHT AND 1700 LB. MAX. TONGUE WEIGHT. WEIGHT CARRYING HITCH RATING IS 12000 LB MAX GROSS TRAILER WEIGHT AND 1200 LB MAX TONGUE WEIGHT. CONSULT VEHICLE OWNERS MANUAL FOR TOWING RECOMMENDATIONS AND LIMITATIONS.

LIMITED WARRANTY

Reese warrants its Hitches, custom Hitch Receivers, and Sway Controls from date of purchase against defects in material and workmanship under normal use and service, ordinary wear and excepted, for the ownership life of the original consumer purchaser. Reese will replace FREE OF CHARGE any part which proves defective in material or workmanship when presented to any Reese dealer, Reese Warehouse or return to factory. TRANSPORTATION CHARGES PREPAID, at the address below. THIS WARRANTY IS LIMITED TO DEFECTIVE PARTS REPLACEMENT ONLY. LABOR CHARGES AND/OR DAMAGE INCURRED IN INSTALLATION OR REPLACEMENT AS WELL AS INCIDENTAL AND CONSEQUENTIAL DAMAGES CONNECTED THEREWITH ARE EXCLUDED. Some states do not allow the exclusion or limitation of incidental or consequential damages, so the above limitation or exclusion may not apply to you. Any damage to the Hitch, Custom Hitch receiver or Sway Control as a result of misuse, abuse, neglect, accident, improper installation, or any use violative of instructions furnished by us, WILL VOID THE WARRANTY. This warranty gives you specific legal rights, and you may also have other rights which vary from state to state. In the event of a problem Reese warrants its Hitches, Custom Hitch Receivers and Sway Controls from date of purchase against defects in material and workmanship under normal use and service, ordinary wear and tear excepted, for the ownership life of the original consumer purchaser. with warranty service or performance, you may be able to go to a small claims court, a state court, or a federal district court.

Reese Products, Inc.
51671 State Road 19-N
Elkhart, IN 46514

Reese Products of Canada, Ltd.
475 Wycroft Road
Oakville, Ontario
Canada L6K2H2