

REESE

You *can* take it with you.

INSTALLATION INSTRUCTIONS TITAN

3/4 TON CHEVY SUBURBAN
& 3/4 TON GMC YUKON XL

ELKHART, IN., OAKVILLE, ONT.

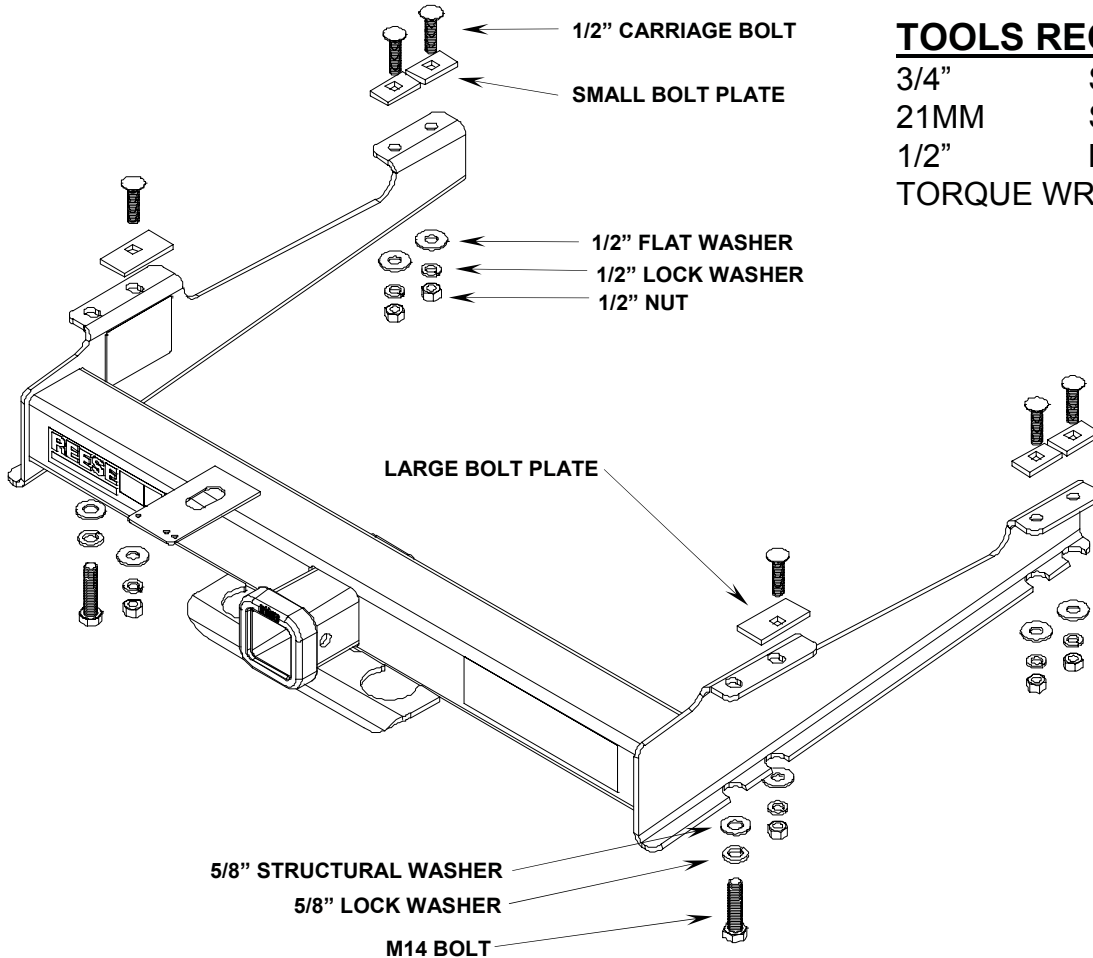
Product No.

45013

SMALL PARTS
PACKAGE 45276

WARNING: DO NOT LUBRICATE THREADS, BOLT FAILURE MAY OCCUR DUE TO OVER TIGHTENING.
WARNING: DO NOT DRILL OR WELD TO THIS HITCH.

IMPORTANT NOTES
USE ONLY REESE SUPPLIED OR APPROVED BOLTS, LOCKNUTS, AND WASHERS TO INSTALL THIS HITCH



TOOLS REQUIRED

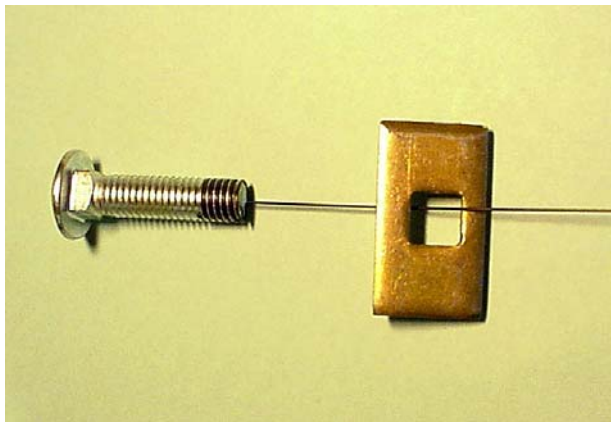
3/4"	SOCKET
21MM	SOCKET
1/2"	DRILL
	TORQUE WRENCH

1. Remove the factory installed 14mm bolt from the bottom of the frame at the rear of the frame.
2. Using the supplied 14mm bolt with the flat washer and a lock washer, bolt the hitch into the holes where the factory bolt was removed. See the diagram above.
3. Insert The 1/2" carriage bolts with bolt plates down through the next open hole in the frame. Install 1/2" flat washers, lock washers, and nuts. Snug up the nuts.
4. Using the remaining holes in the hitch brackets as a guide drill 1/2" holes into the frame.
5. Push the pull wire up through the holes drilled into the frame and out through the large hole in the side of the frame. Slide a bolt plate over the pull wire and screw a 1/2" carriage bolt into the pull wire. Pull the bolt and bolt plate down through the hole in the frame. Install a 1/2" flat washer, lock washer, and nut on the bolt. Repeat for the last three bolts. See diagram on the back for more detail on pull wire use.

(OVER)

For Installation Assistance or Technical Help, Call 1-800-758-0869

6. Torque all 1/2" nuts to 70 ft.*lb.
Torque all 14mm bolts to 80 ft.*lb.



**For illustration purposes only.
Your frame may look different.**

For Installation Assistance or Technical Help, Call 1-800-758-0869

THIS PRODUCT COMPLIES WITH SAFETY SPECIFICATION AND REQUIREMENTS FOR THE STATE OF NEW YORK AND VESC REGULATION V-5 FOR CONNECTING DEVICES AND TOWING SYSTEMS. WEIGHT DISTRIBUTING HITCH RATING IS 14000 LB. MAX. GROSS TRAILER WEIGHT AND 1700 LB. MAX. TONGUE WEIGHT. WEIGHT CARRYING HITCH RATING IS 12000 LB MAX GROSS TRAILER WEIGHT AND 1200 LB MAX TONGUE WEIGHT. CONSULT VEHICLE OWNERS MANUAL FOR TOWING RECOMMENDATIONS AND LIMITATIONS.

LIMITED WARRANTY

Reese warrants its Hitches, custom Hitch Receivers, and Sway Controls from date of purchase against defects in material and workmanship under normal use and service, ordinary wear and excepted, for the ownership life of the original consumer purchaser. Reese will replace FREE OF CHARGE any part which proves defective in material or workmanship when presented to any Reese dealer, Reese Warehouse or return to factory. TRANSPORTATION CHARGES PREPAID, at the address below. THIS WARRANTY IS LIMITED TO DEFECTIVE PARTS REPLACEMENT ONLY. LABOR CHARGES AND/OR DAMAGE INCURRED IN INSTALLATION OR REPLACEMENT AS WELL AS INCIDENTAL AND CONSEQUENTIAL DAMAGES CONNECTED THEREWITH ARE EXCLUDED. Some states do not allow the exclusion or limitation of incidental or consequential damages, so the above limitation or exclusion may not apply to you. Any damage to the Hitch, Custom Hitch receiver or Sway Control as a result of misuse, abuse, neglect, accident, improper installation, or any use violative of instructions furnished by us, WILL VOID THE WARRANTY. This warranty gives you specific legal rights, and you may also have other rights which vary from state to state. In the event of a problem Reese warrants its Hitches, Custom Hitch Receivers and Sway Controls from date of purchase against defects in material and workmanship under normal use and service, ordinary wear and tear excepted, for the ownership life of the original consumer purchaser. with warranty service or performance, you may be able to go to a small claims court, a state court, or a federal district court.

Reese Products, Inc.
51671 State Road 19-N
Elkhart, IN 46514

Reese Products of Canada, Ltd.
475 Wycroft Road
Oakville, Ontario
Canada L6K2H2